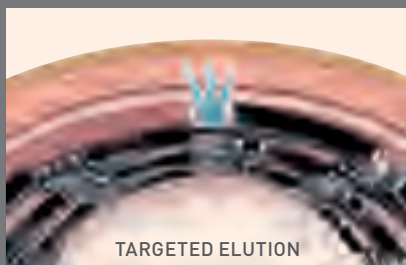


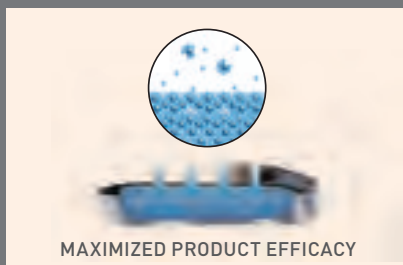
Cre8™

POLYMER-FREE AMPHILIMUS™ (SIROLIMUS + ORGANIC ACID) ELUTING CORONARY STENT

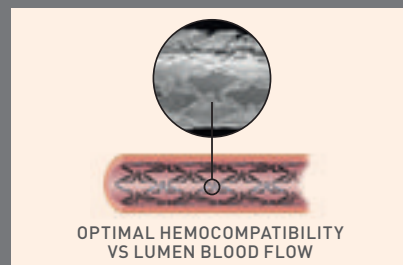
The absence of polymer minimizes the risk of inflammation/thrombosis, while the propriety formulation enhances drug absorption.



- Controlled and directed drug elution as a result of the **Abluminal Reservoir Technology**



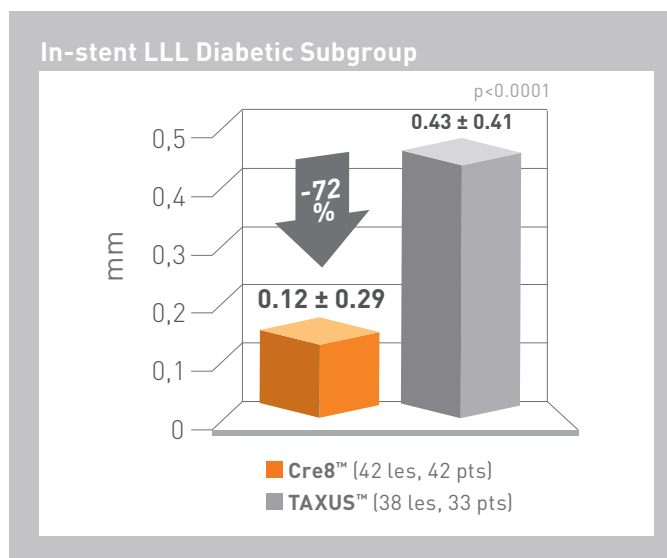
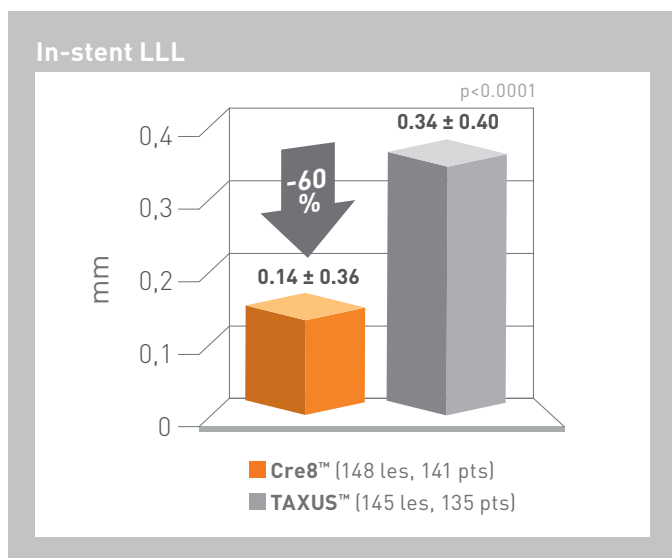
- Optimal efficacy achieved through an homogeneous drug distribution and improved bio-availability due to the proprietary **Amphilimus™ formulation**, which is the combination of Sirolimus and an organic acid



- Proven bio and haemo-compatibility enabled by the **Bio Inducer Surface coating**, which accelerates the rate of endothelization and reduces thrombogenicity

The only very effective polymer-free DES

The NEXT study* 6-month angiographic data



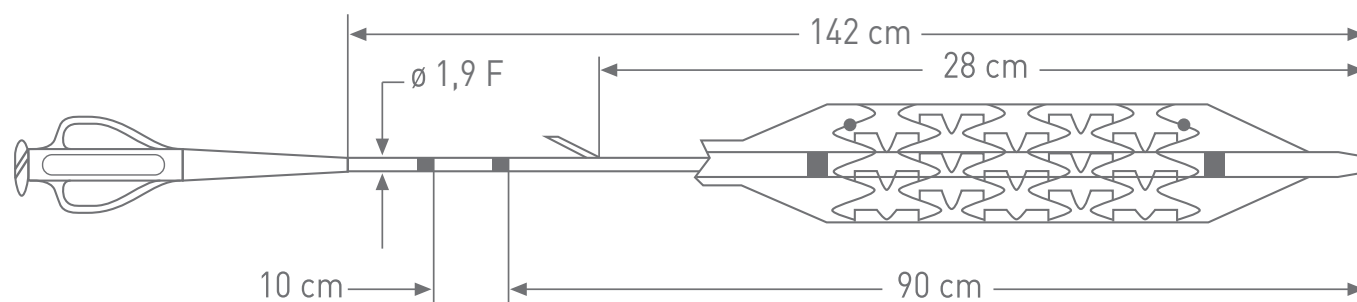
*Carrié et al JACC, 2012, 59; 1371-76

Cre8™

POLYMER-FREE AMPHILIMUS™ (SIROLIMUS + ORGANIC ACID) ELUTING CORONARY STENT

TECHNICAL DATA

CORONARY STENT	
Polymer-free drug release device	
Stent material:	L605 Cobalt Chromium alloy
Abluminal reservoirs for drug loading	
Strut surface coating:	Bio Inducer Surface
Strut thickness:	70 – 80µm
2 radiopaque platinum markers at stent ends	
No stent foreshortening during expansion	
DRUG RELEASING FORMULATION	
Amphilimus™ formulation:	Sirolimus + organic acid
DEVICE SPECIFICATIONS	
Guiding catheter compatibility:	5F
Guidewire compatibility:	0.014"
Nominal Pressure (NP):	9 atm
Rated Burst Pressure (RBP):	18 atm



ORDER INFORMATION CRE8™

Ø (mm) \ L (mm)	8	12	16	20	25	31	38
2,25	ICLI22508	ICLI22512	ICLI22516	ICLI22520	ICLI22525	ICLI22531	
2,50	ICLI2508	ICLI2512	ICLI2516	ICLI2520	ICLI2525	ICLI2531	ICLI2538
2,75	ICLI27508	ICLI27512	ICLI27516	ICLI27520	ICLI27525	ICLI27531	ICLI27538
3,00	ICLI3008	ICLI3012	ICLI3016	ICLI3020	ICLI3025	ICLI3031	ICLI3038
3,50	ICLI3508	ICLI3512	ICLI3516	ICLI3520	ICLI3525	ICLI3531	ICLI3538
4,00	ICLI4008	ICLI4012	ICLI4016	ICLI4020	ICLI4025	ICLI4031	ICLI4038
4,50		ICLI4512	ICLI4516	ICLI4520	ICLI4525	ICLI4531	

www.alvimedica.com

Please contact your local sales representative for product availability.

Not for sale in the USA and Japan.

The images shown within this document are of a purely illustrative nature and are not intended to depict reality.

Please consult product labels and package inserts for indications, contraindications, hazards, warnings, cautions and instruction for use.

Manufactured by: CID S.p.a., Strada per Crescentino, sn - 13040 Saluggia (VC) Italy

©2014, Alvimedica. All Rights Reserved.



back to life!